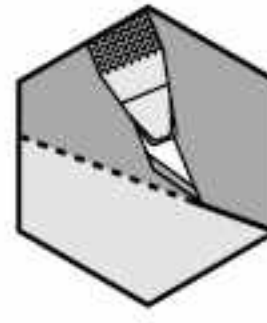


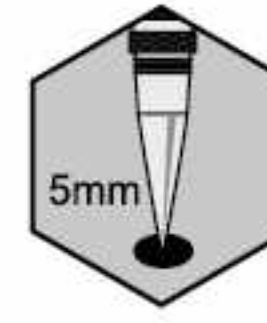
killerbody™

Motorized Windscreen Wiper Used with any R/C car No. 48061

● Symbols used throughout the instruction manual, comprise:



Cut off shaded portion.



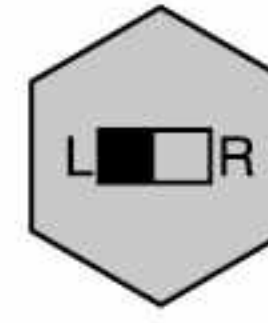
5mm
Drill holes with the specified diameter.



Pay close attention here!



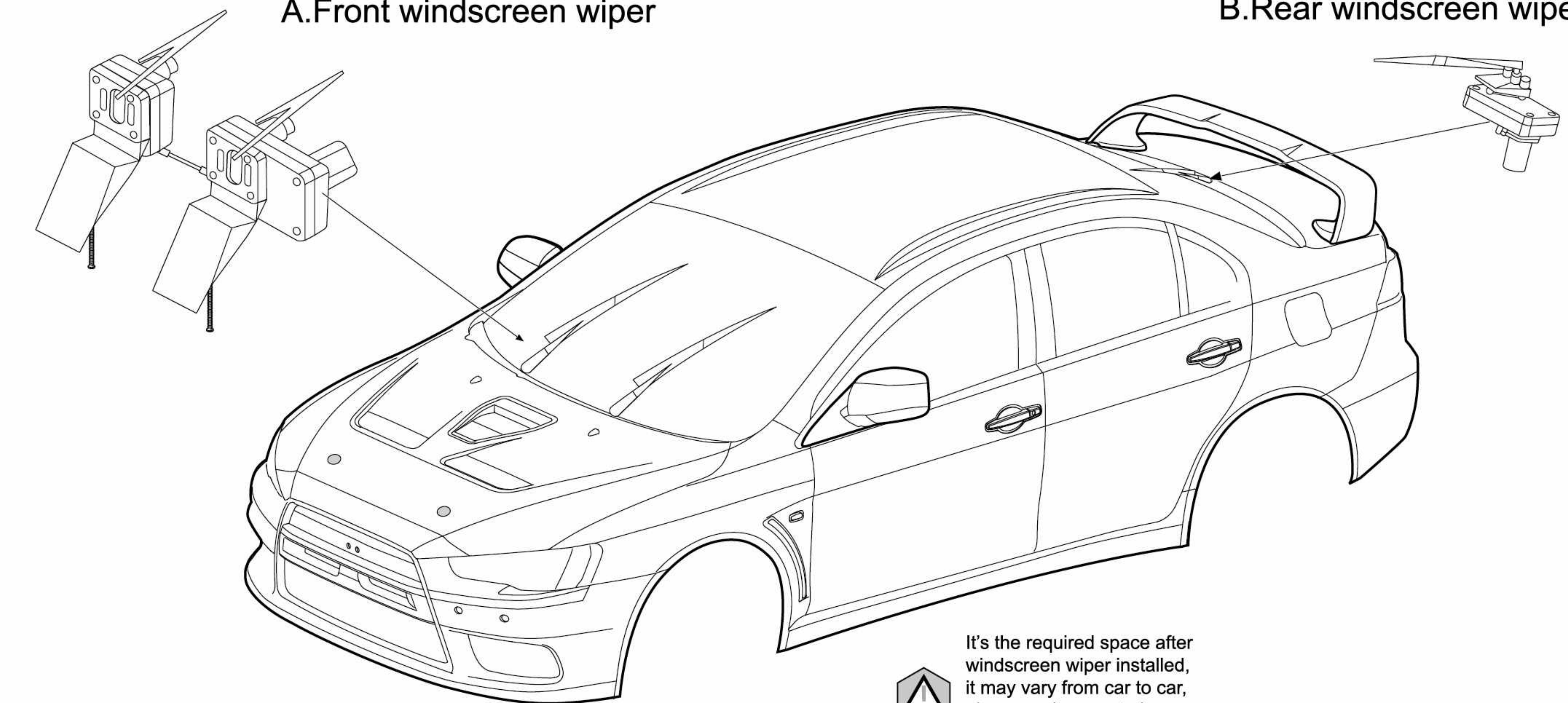
Must be purchased separately.



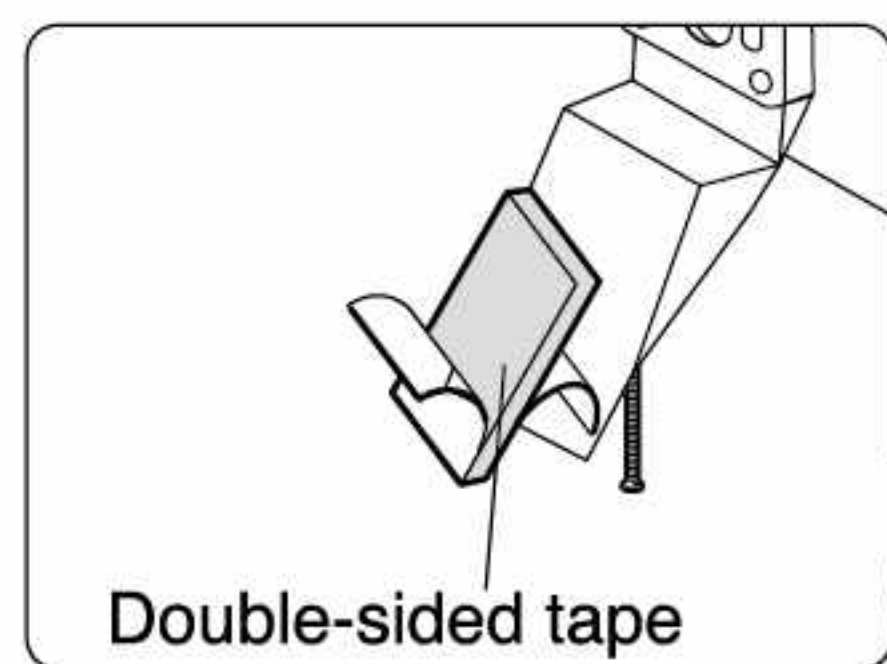
Assemble left and right sides the same way.

A. Front windscreen wiper

B. Rear windscreen wiper



It's the required space after windscreen wiper installed, it may vary from car to car, please make sure to leave enough space before installation.



Double-sided tape

A. Front windscreen wiper

B. Rear windscreen wiper

M2X24
Rotate the screw to adjust approach angle of windscreen wiper arms.

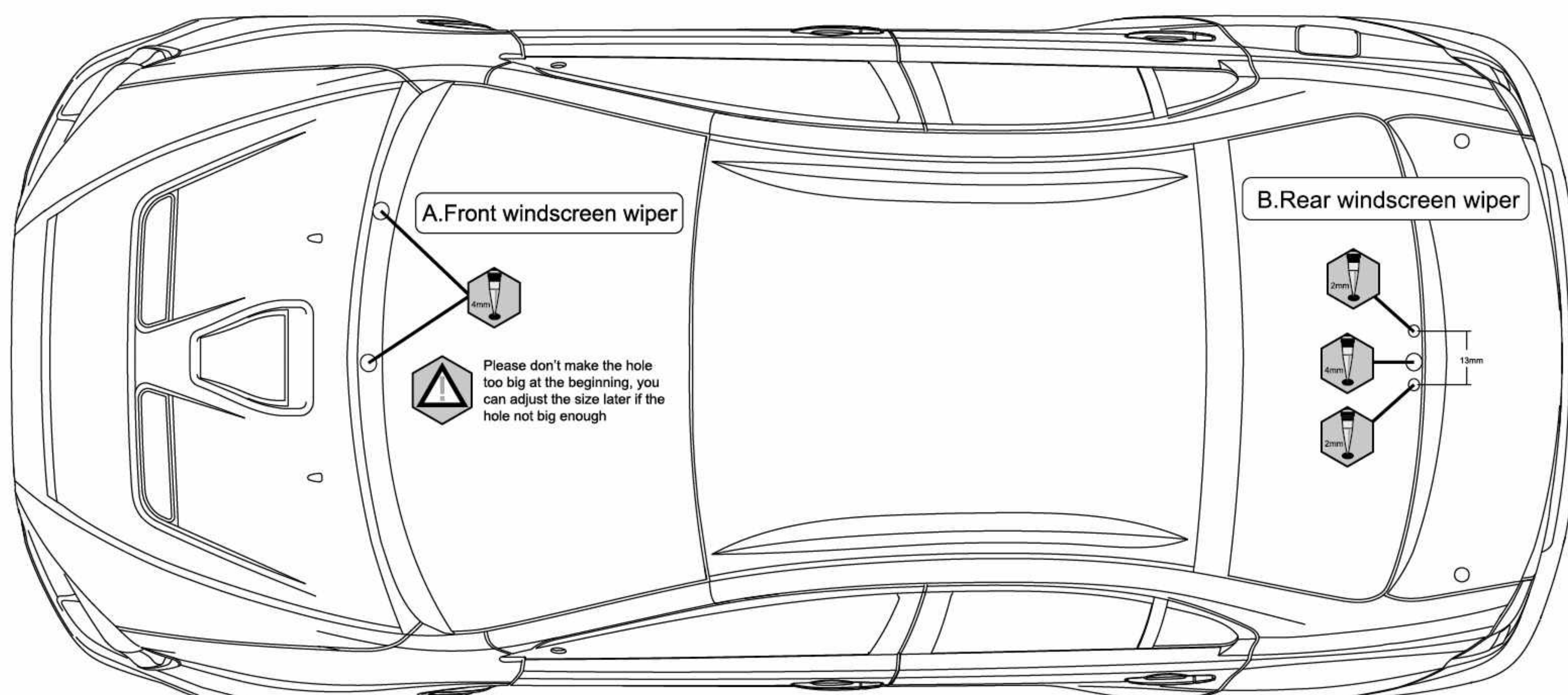
About 40mm

Angle

Battery

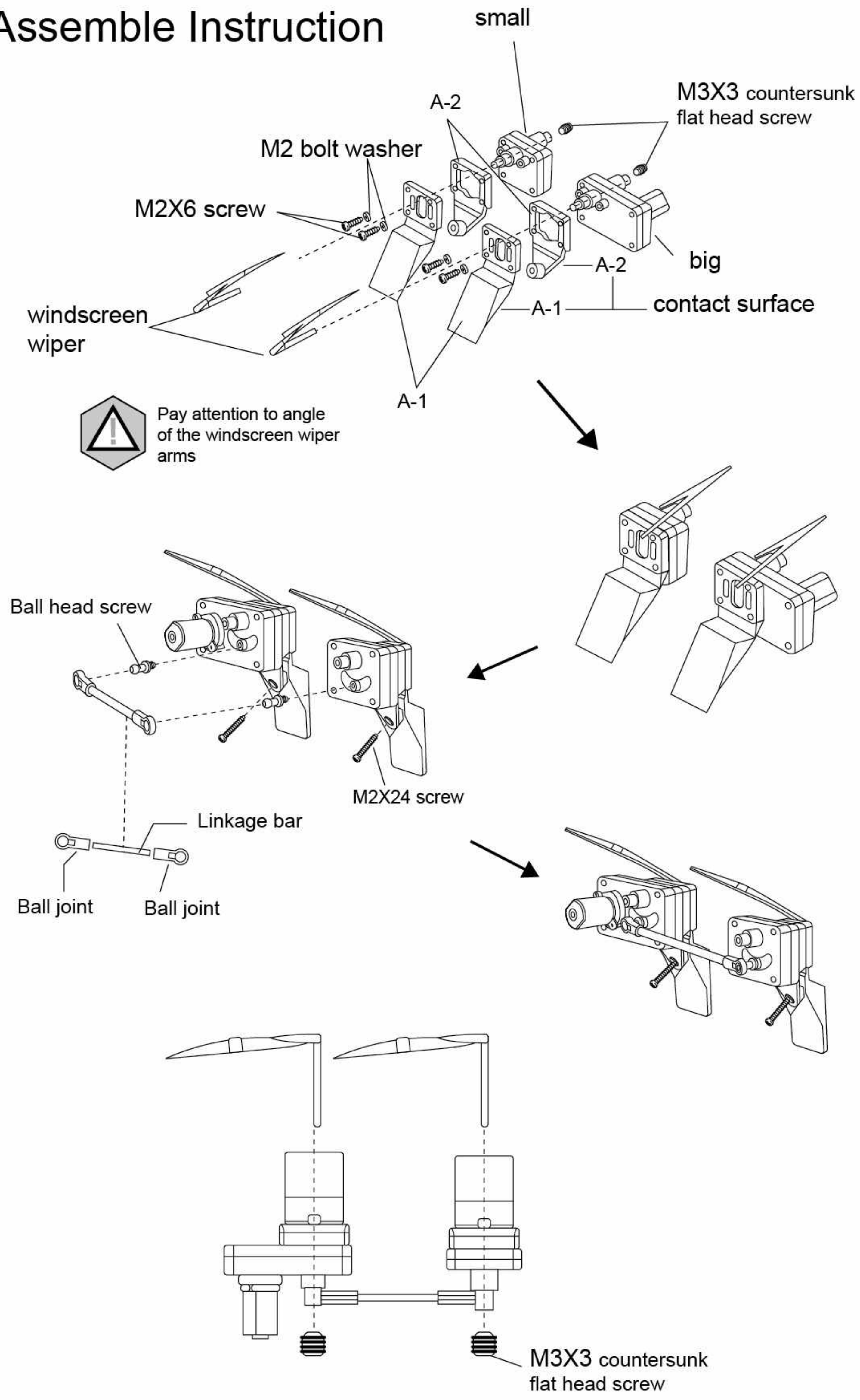
ESC

40mm

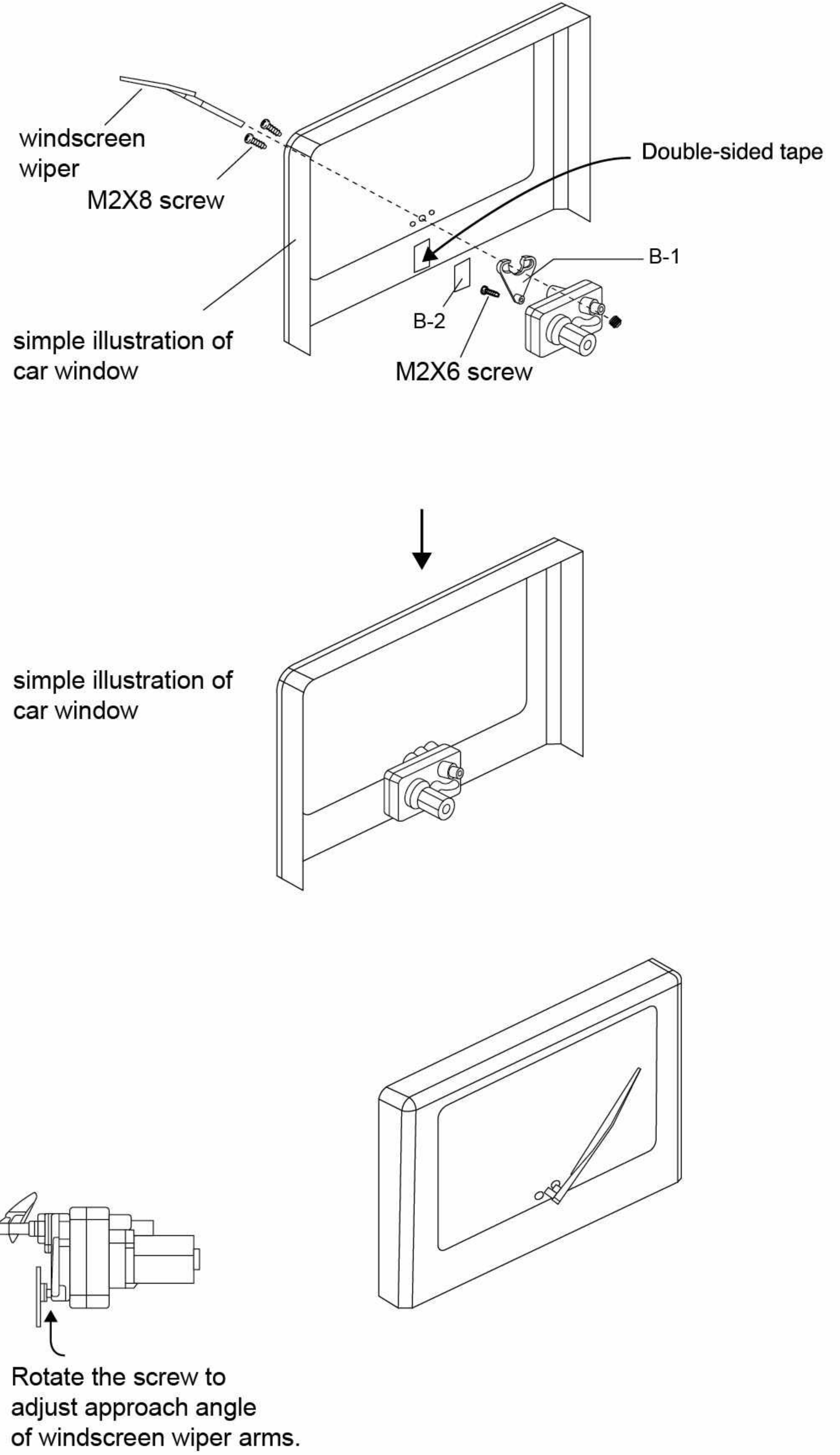


A. Front windscreen wiper

Assemble Instruction

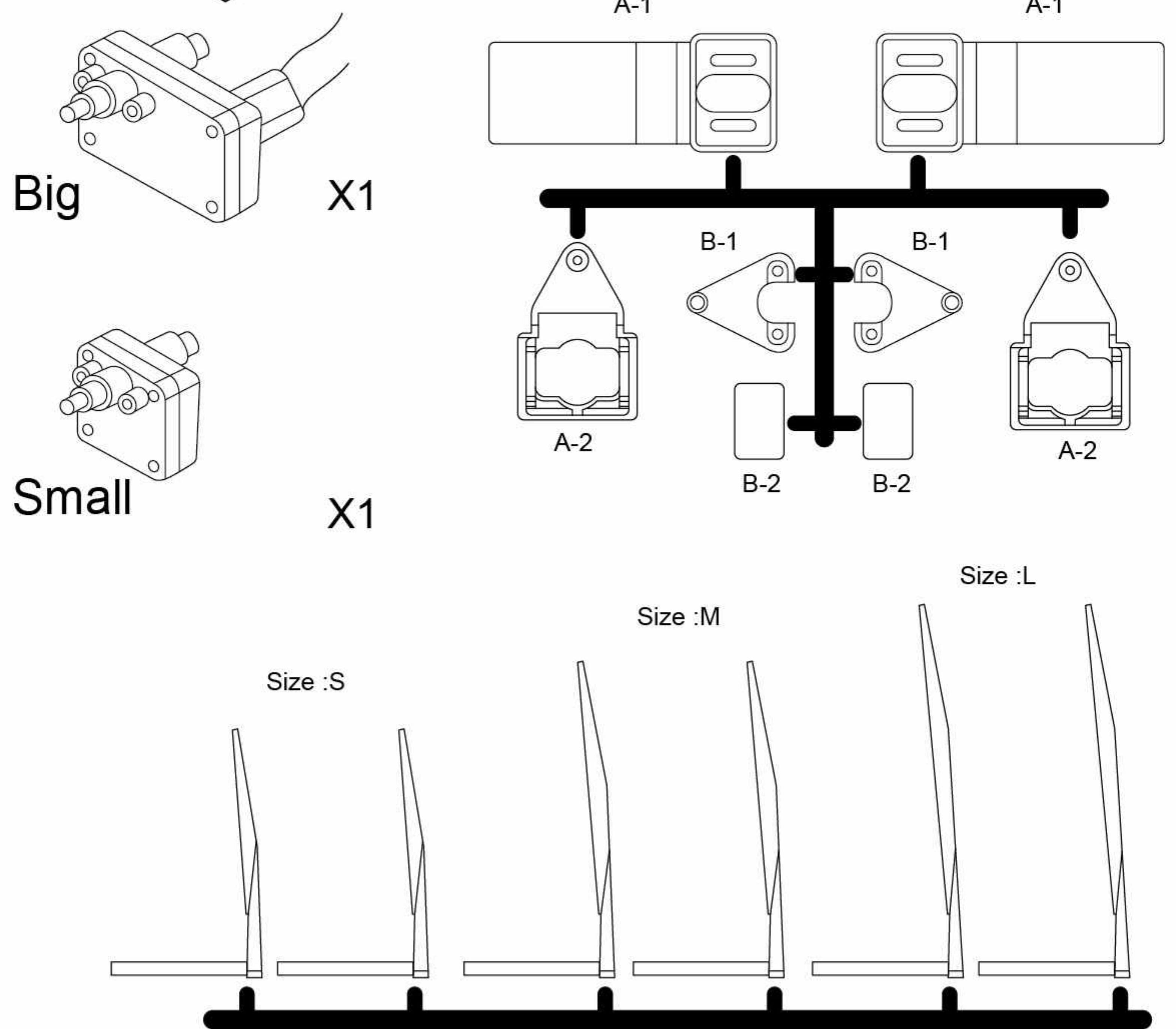


B. Rear windscreen wiper



M2 bolt washer		-----	X4
M2X6 screw		-----	X6
M2X8 screw		-----	X4
M2X24 screw		-----	X2
M3X3 countersunk flat head screw		-----	X2
Ball head screw		-----	X2
Ball joint		-----	X2
1.5X60mm linkage bar		-----	X1
1.5X45mm linkage bar		-----	X1
1.5X30mm linkage bar		-----	X1
Double-sided tape		-----	X1

Be careful not to cut the wires



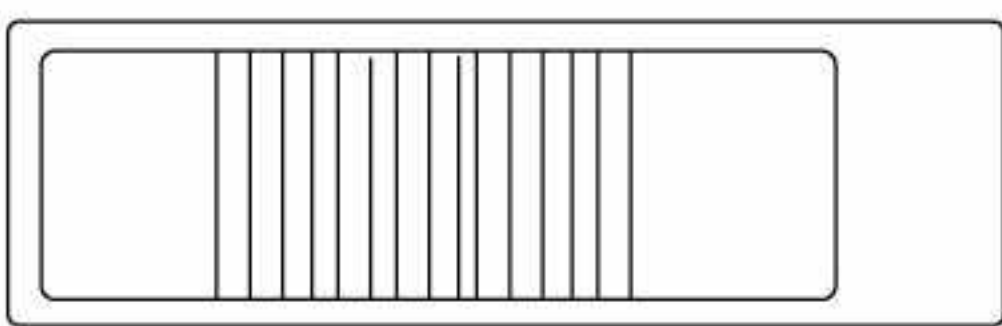


Must be purchased separately.

CPS-1

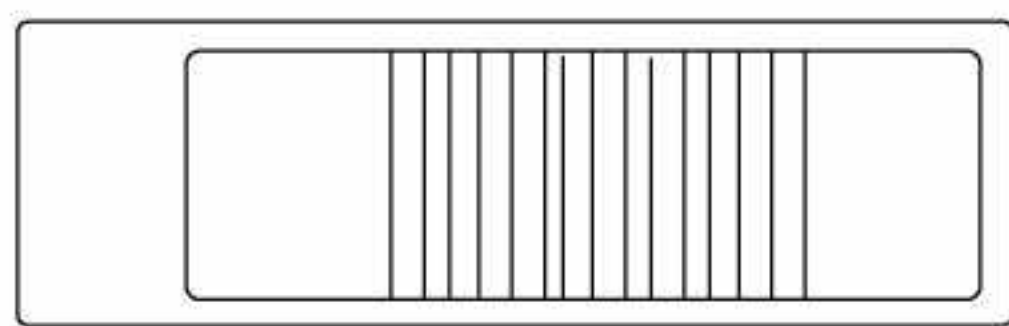
3-Channel Servo

OFF - ON



OFF:stop

OFF - ON

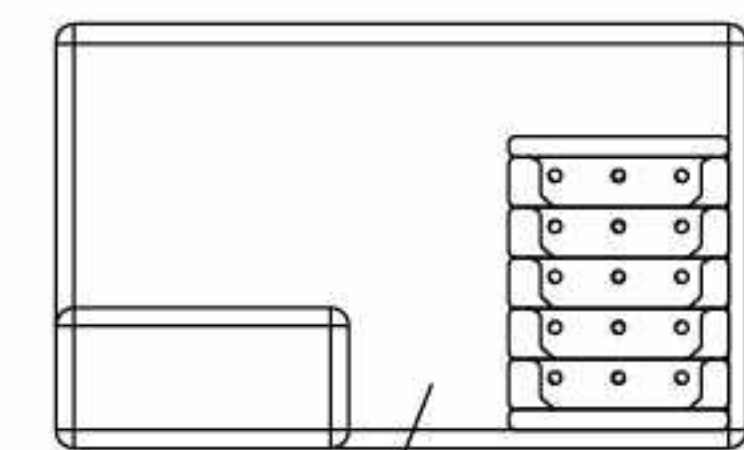


ON:start

Transmitter
3-Channel Servo

Receiver

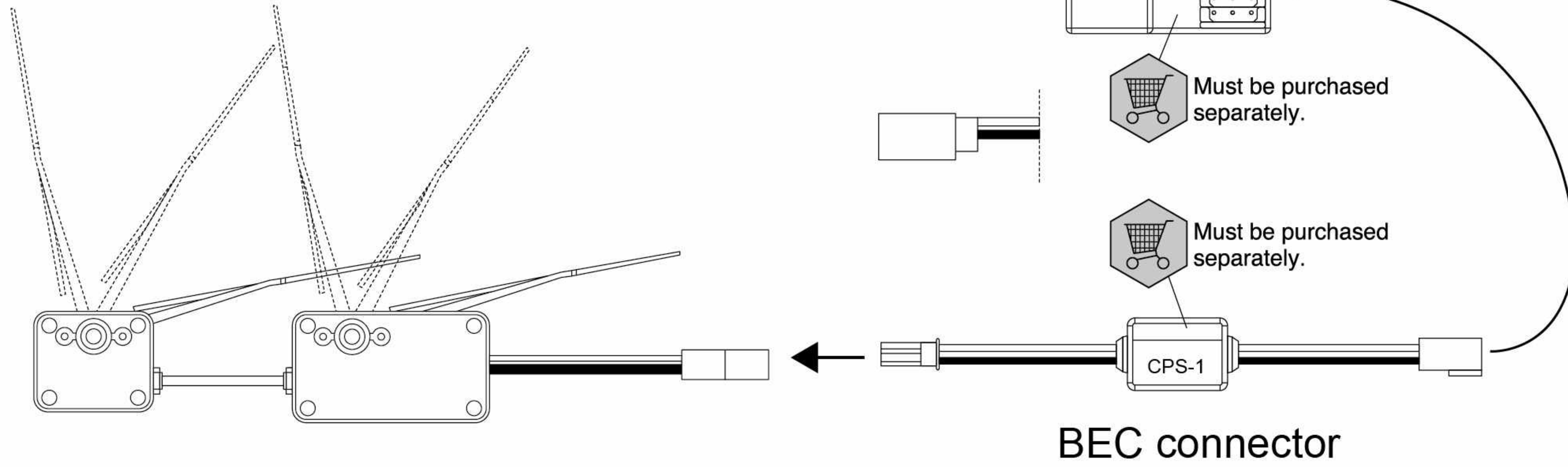
Connect receiver into
channel 2 of receiver



Receiver
3-Channel Servo

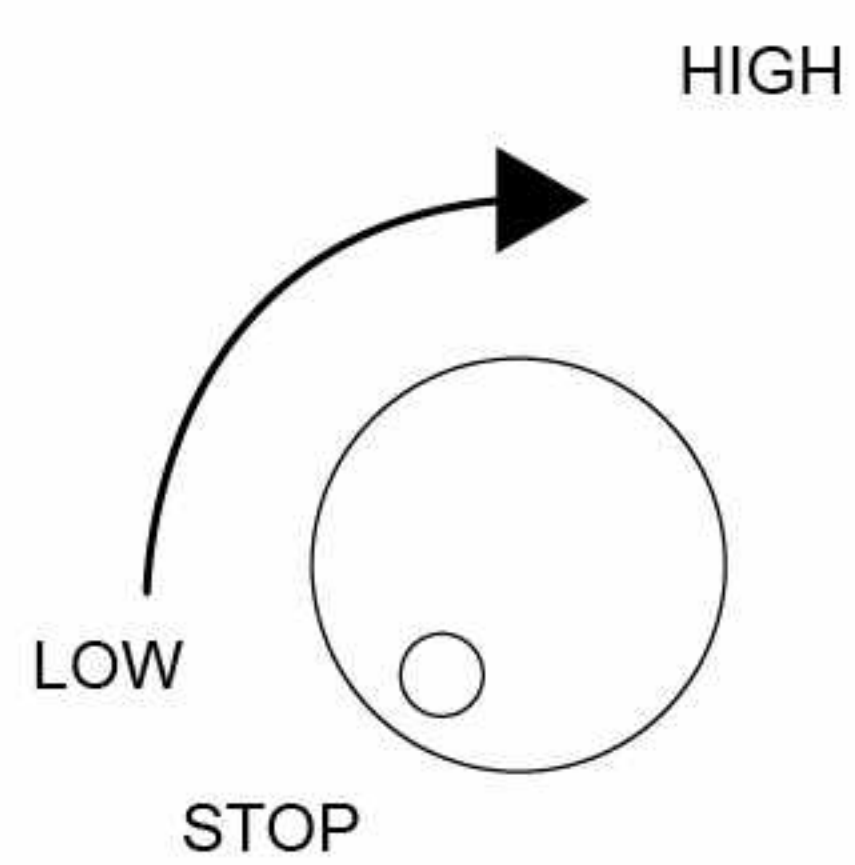
Must be purchased
separately.

Must be purchased
separately.



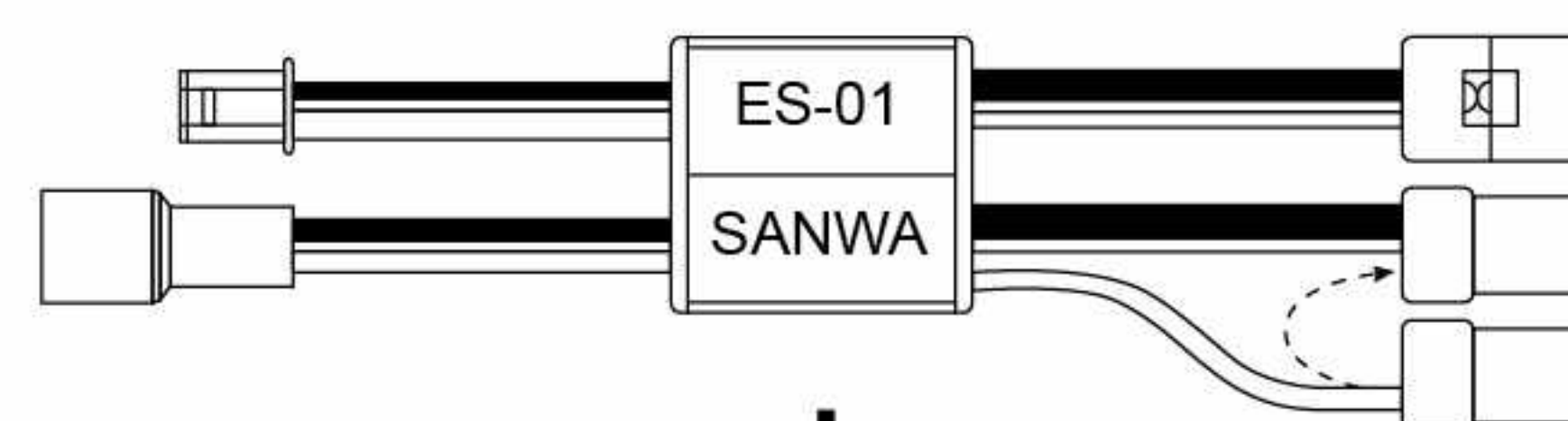
ES-01

3-Channel adjustable Servo



Transmitter
3-Channel
adjustable Servo

BEC speed controller



Must be purchased
separately.

